

TEMA SINERGIE

High tech, high care

Cutting-edge solutions for
Nuclear Medicine,
Radiopharmacy and
beyond

Tema Sinergie Profile

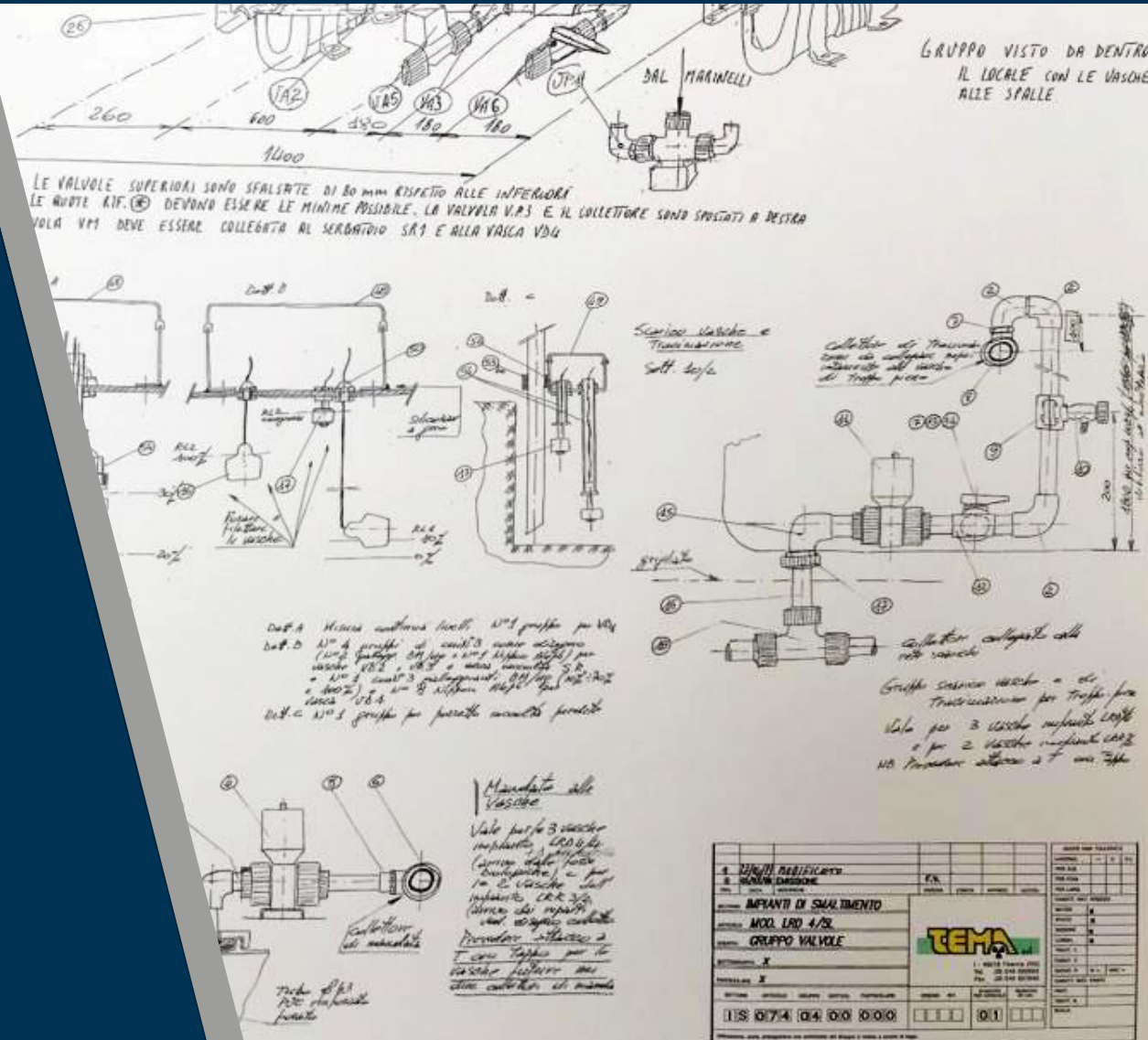
TEMA SINERGIE
High tech, high care

A world leading company for radioprotection systems, pharmaceutical and health care equipment certified to quality standards since 2000.



Our History

Established in 1985, Tema Sinergie has become the world leader in designing and manufacturing of shielded isolators for Nuclear Medicine applications



Our Mission



**PROMOTING A
BETTER QUALITY
OF LIFE**

Facility – As Is

Expanding the business

From 7.500 m² (81.000 sf)
of existing offices,
production area and
warehouse...



TEMA SINERGIE

Facility – As Is



Facility – To Be



**... to an expanded facility
of 20.500 m² (220.000 sf)
expected for Q1/2024**

Tema Sinergie Customers



Over 2000 customers
Over 8000 installations

In the world.

Nuclear Medicine

Production



Barrier Isolation Technology

Production



Radiotherapy and Medical Physics

Distribution



Nuclear Medicine

TEMA SINERGIE
High tech, high care



Tema Sinergie represents

the most qualified company worldwide in the production of manipulation and dispensing systems of radiopharmaceuticals

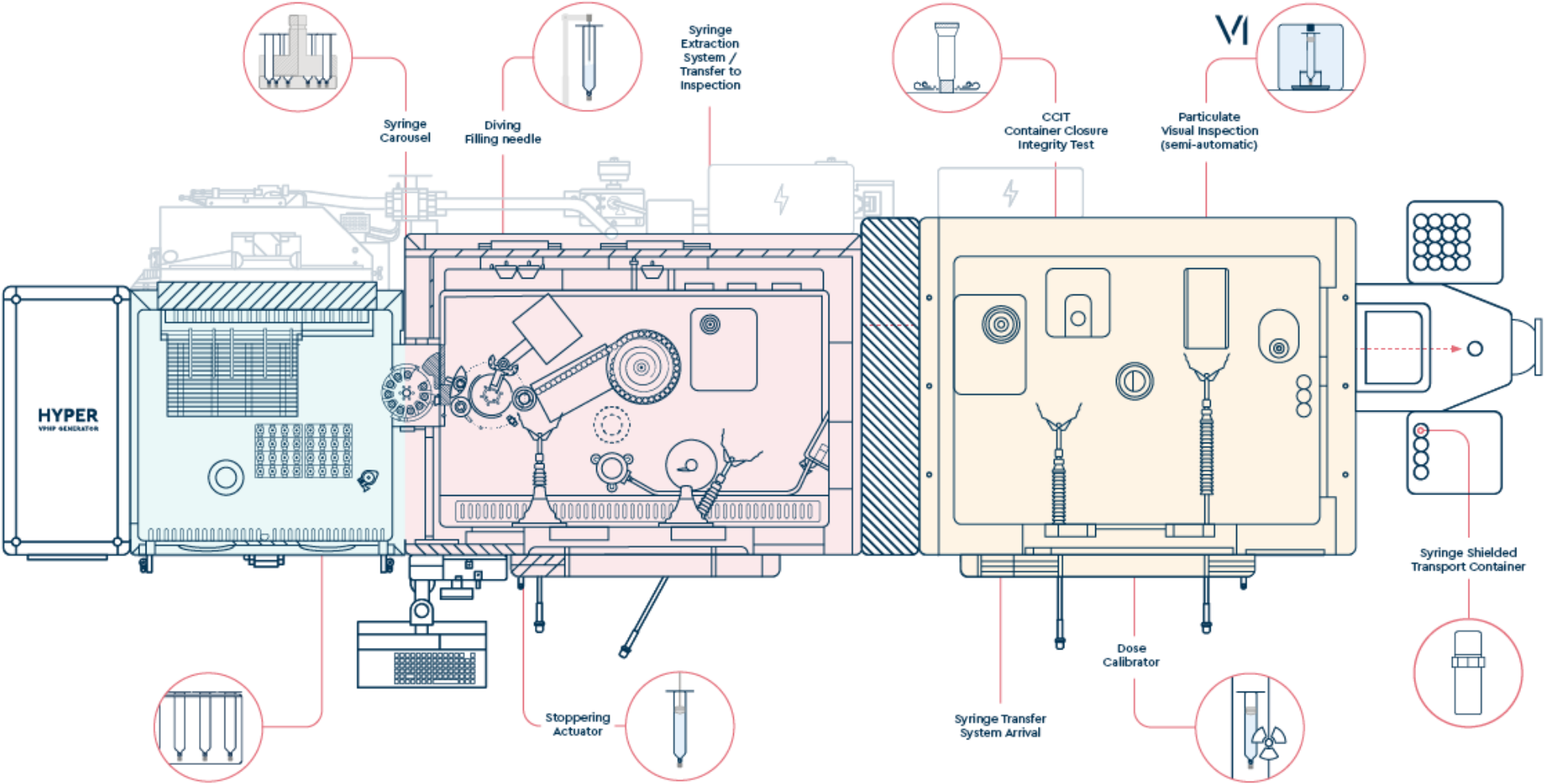
WITH MORE THAN 35 YEARS OF EXPERIENCE

Nuclear Medicine

From **synthesis and dispensing hot cells**, to **dose drawing systems**, **radiopharmaceutical injectors**, **monitoring systems** and much more, Tema Sinergie is the ideal partner for each and every application within Nuclear Medicine.



Customized Solutions for RP



NM References



GE Healthcare



IAEA
International Atomic Energy Agency

PHILIPS
Healthcare

SIEMENS
Healthineers

⌘ **KAR₁₀₀** is a mobile unit designed to handle both the dispensing and injections of FDG and other PET radiopharmaceuticals using syringes and our unique automatic injection system Rad-Inject.



⌘ **Best seller! More than 200 units worldwide**

KARℓ₁₀₀: a valuable assistant in PET



KARℓ₁₀₀
The multi-dose administration system

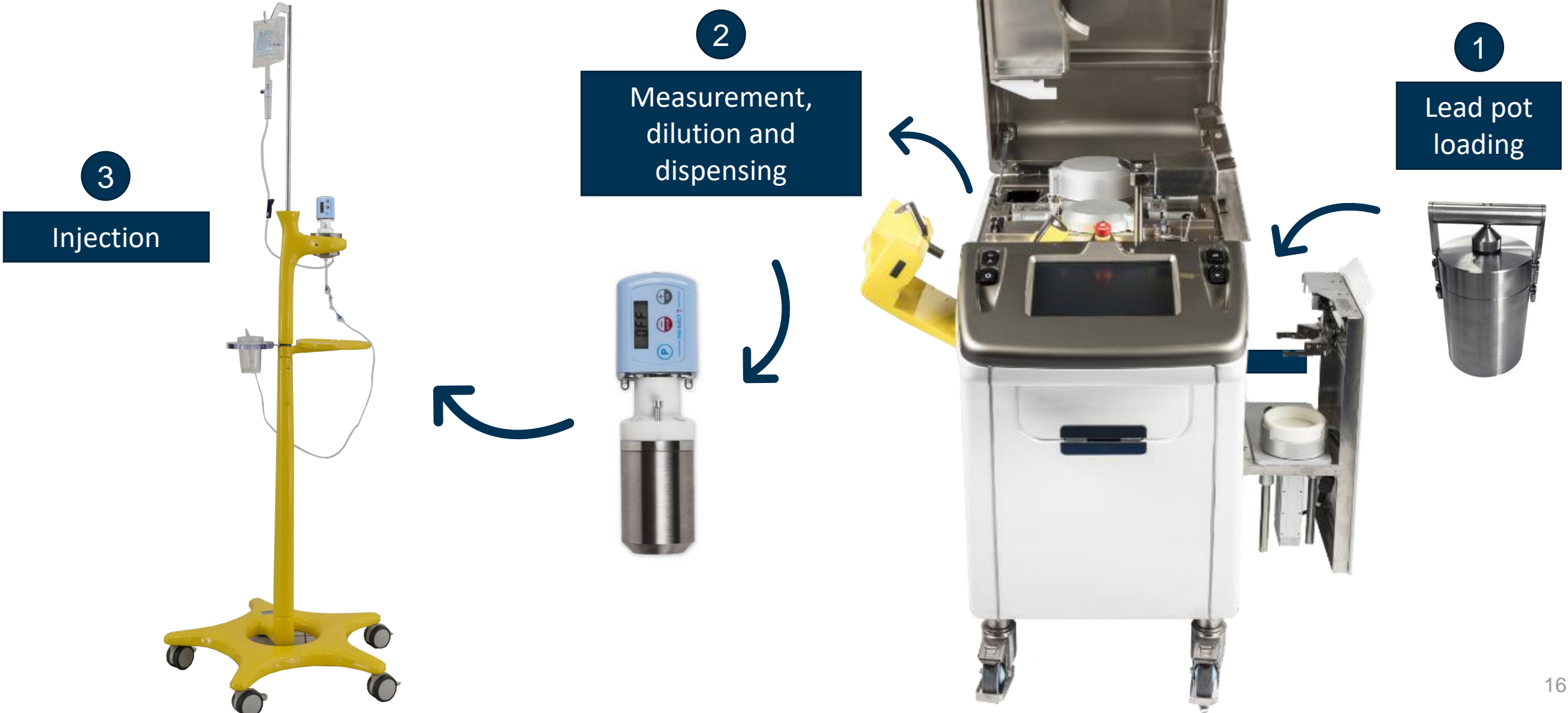


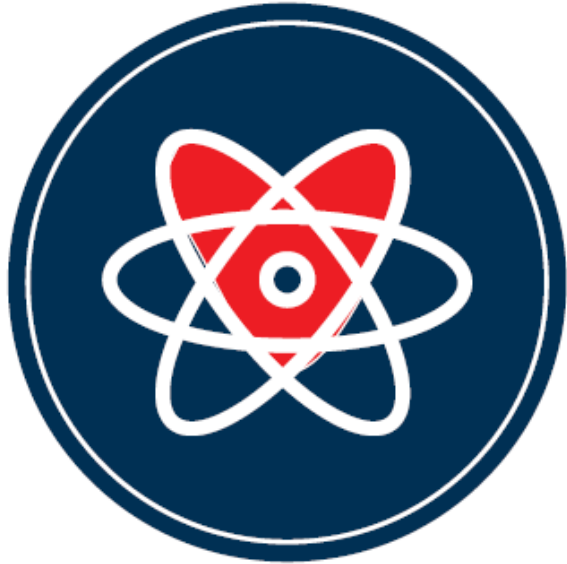
RAD-INJECT
The smallest automated injector for
radiopharmaceuticals

Class 2b Medical Device



STAND
for RAD-INJECT





MULTI-TRACER COMPATIBLE

¹⁸F ⁶⁴Cu ¹²³I ⁹⁹Tc ⁶⁸Ga ¹⁷⁷Lu
⁹⁰Y ²²³Ra ¹³¹I ⁸⁹Zr ¹¹C



**ASTER: the solution
for RLT monodose
vial injection to
patient**



ASTER is the safest and easiest solution to manage the administration of radiopharmaceuticals in Radiometabolic Therapy



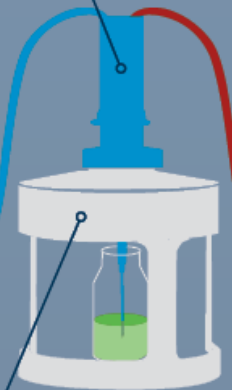
- † The system allows to automatically manage, from a single dose vial, the infusion of radiopharmaceuticals used in theranostics, **minimizing exposure of the operator and avoiding any type of contamination.**

Overview ASTER Set Connection

SALINE SOLUTION



Safety Transfer disposable set

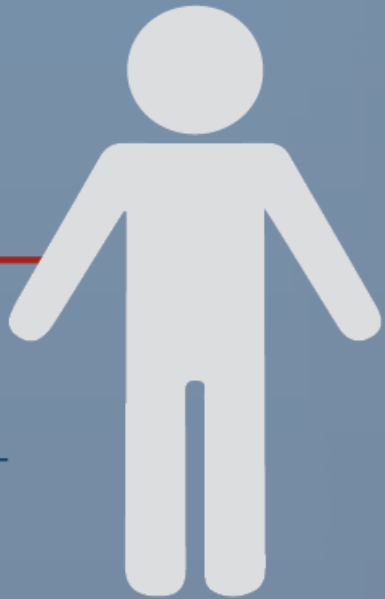


Lead Glass Pot (container)

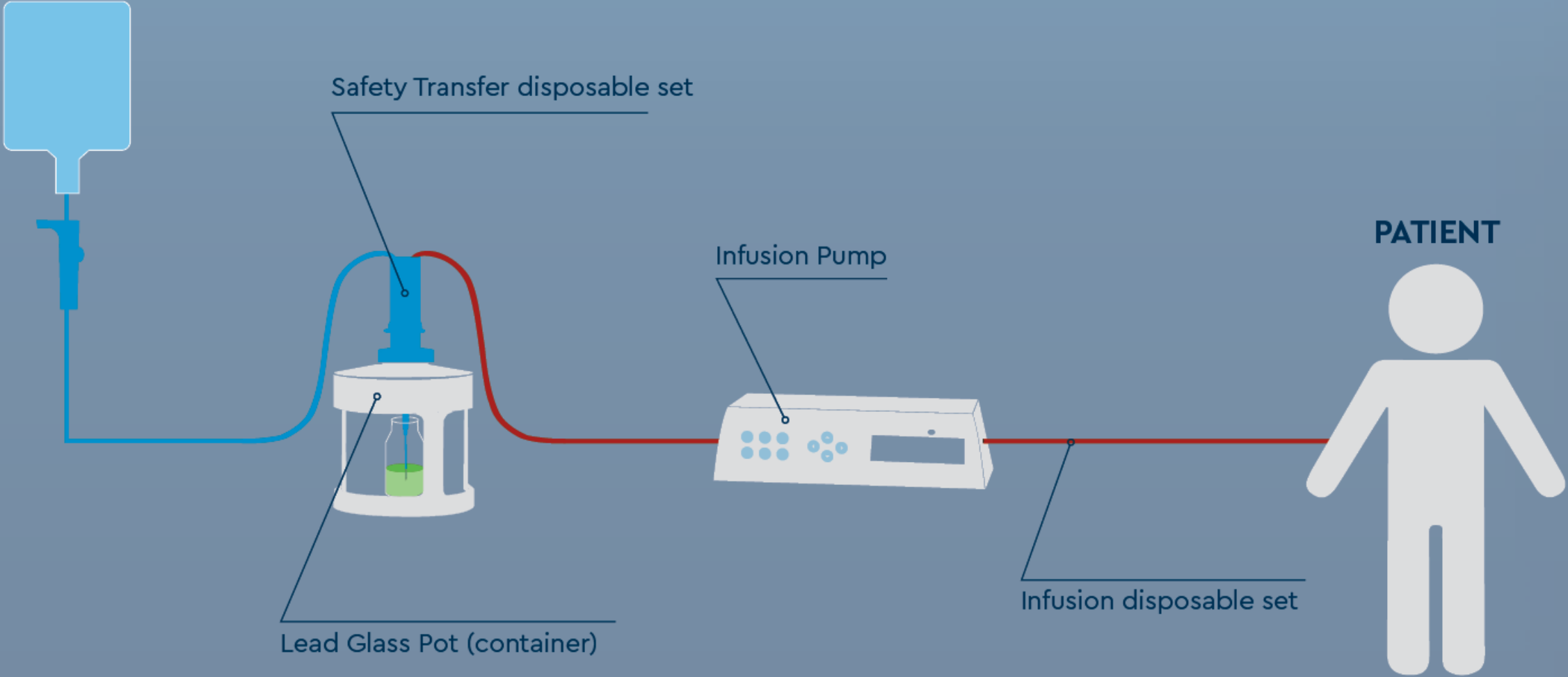
Infusion Pump



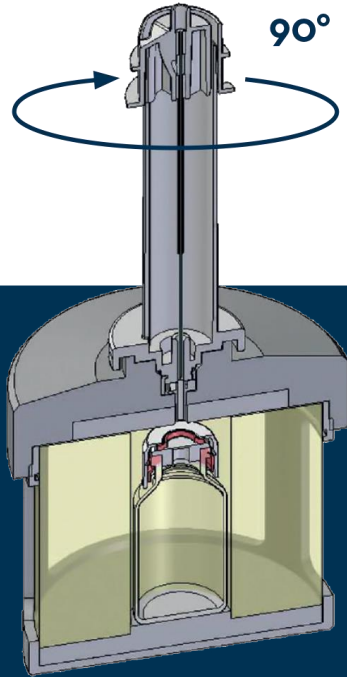
PATIENT



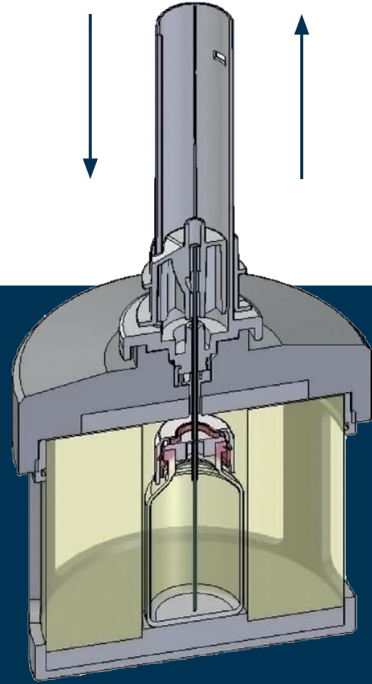
Infusion disposable set



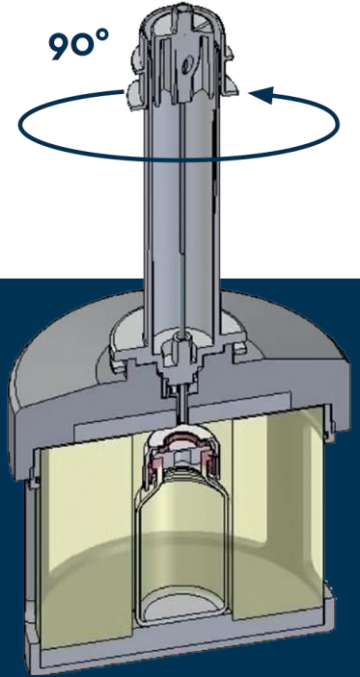
Overview Safety Transfer



SETTING



INFUSION



POST INFUSION

Pros

Only one small hole in the Glass Lead Pot for a single needle.

MINIMIZE
RADIO
ACTIVE
EXPOSURE

The needle will never get in contact with the Lead Glass Pot.

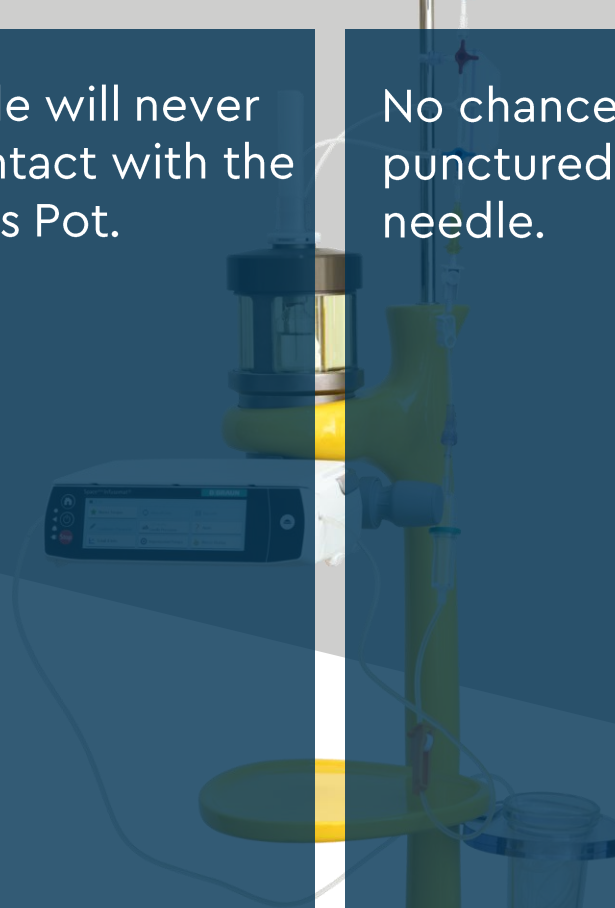
ENSURE
STERILITY

No chance to get punctured by the needle.

PROTECT
THE
OPERATOR

No radiopharmaceutical leaks from the set during the disconnection from the vial.

AVOID
CONTAMI
NATION





CRP Compact



CRP Compact is a precise system for dispensing and sealing both open and closed vials of radiopharmaceuticals in sterile conditions. It allows safe and rapid radiopharmaceutical dispensing into vials minimizing the operator's tasks.

CRP Compact

- ⌘ **Automatic filling unit for open and closed vials** for radiopharmaceutical production
- ⌘ The most **precise** and **reliable** vial dispenser in the market



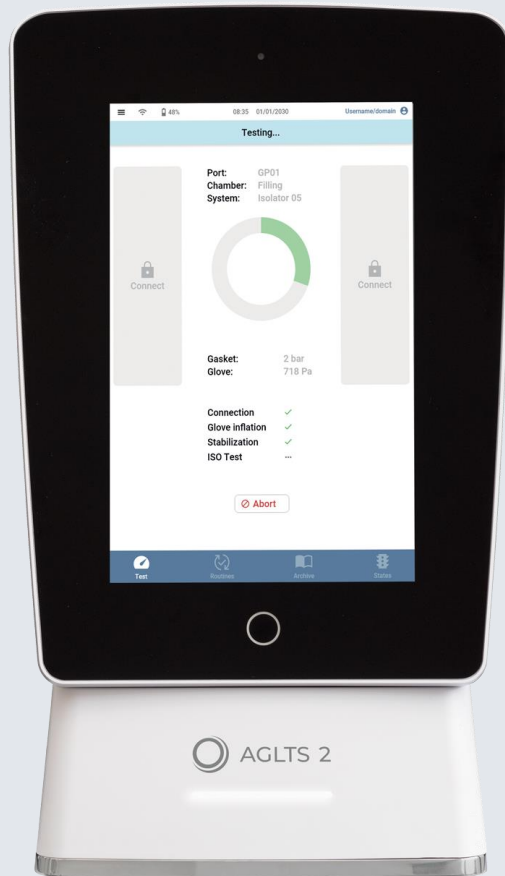
- ⌘ Fully validated both for **diagnostic** and **therapeutic** radiopharmaceuticals in GMP productions

New platform release - CRP Compact +

⌌ Specifically design to work also with **RayDyLyo® push-fit caps** (or similar ones like DAIKYO PLASCAP®)



⌌ Designed to work also with conventional stoppers and aluminum crimp for open vial dispensing



AGLTS 2 is the brand new fully automatic GMP compliant glove integrity testing system, developed referring to the Positive Pressure Decay Method which follows the international standard ISO 14644-7 Annex E.5.

A new generation device way beyond the mere execution of glove testing.

AGLTS 2



AGLTS



- ⌘ **Easy-to-use**, requires **no external piping** for power supply, and compressed air
- ⌘ Powered by the **brand new easy-to-replace Lithium battery**
- ⌘ Performances down to **100 µm!**



Data Transmission



⌘ **Wireless Wi-Fi data transmission** based on a TCPIP protocol

⌘ The recognition of the single glove to be tested is done by means of **Radio Frequency Identification (RFID) Technology**, standard feature of the equipment.

UniTAG
Powered by

TEMA
SINERGIE



Software Compliancy

Good
Automated
Manufacturing
Practice

Gamp[®] 5

FDA

Electronic
records and
Electronic
signatures

Mr.ALESSANDRO TRERE'

alessandro.trere@temasinergie.com



**TEMA CONTACT FOR THAILAND
/ SOUTH EAST ASIA**



TEMA SINERGIE
High tech, high care

www.temasinergie.com